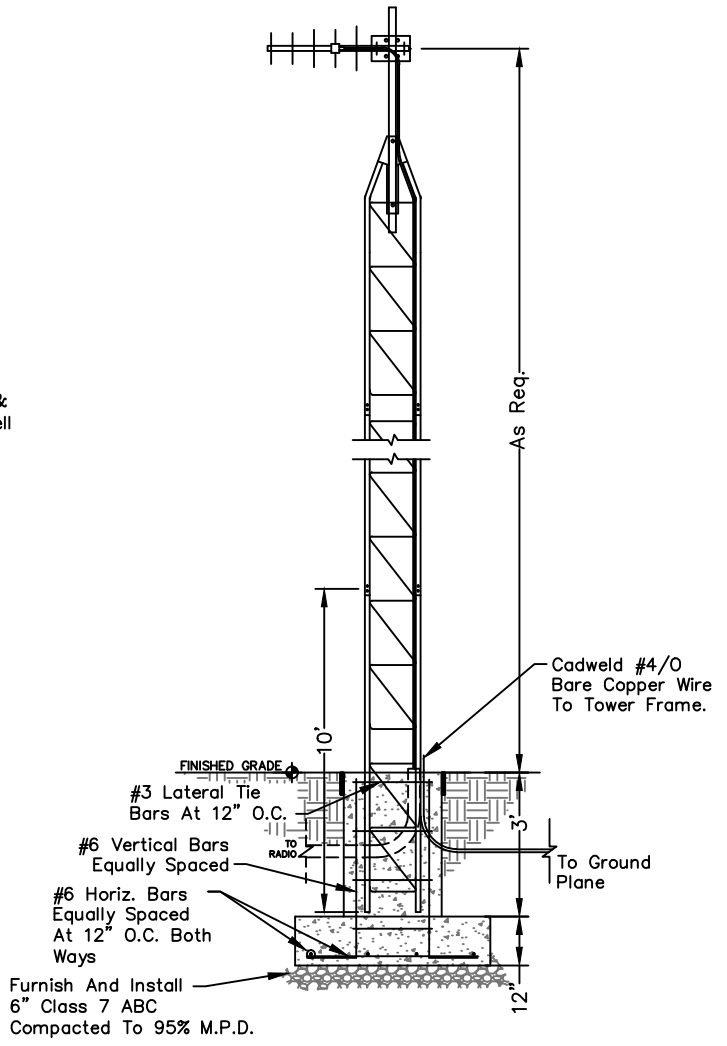
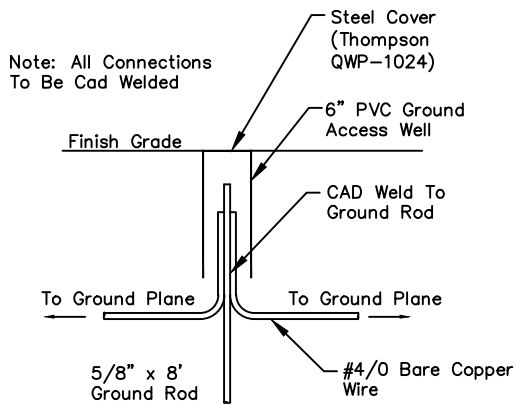


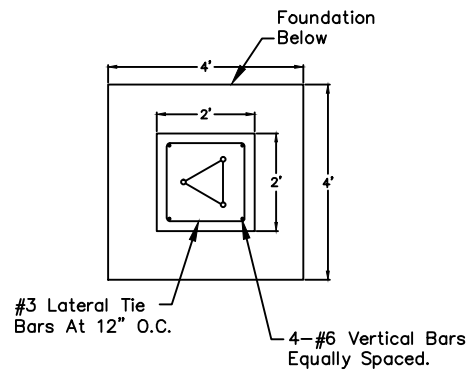
GROUND PLANE DETAIL



COMMUNICATIONS TOWER ELEVATION



GROUND ROD WELL DETAIL



TOWER SECTION

COMMUNICATION TOWER

N.T.S.



526 OAK AVENUE • P.O. BOX 769 • SPRINGDALE, ARKANSAS • 72765-0769 • (479) 751-5751

STANDARD SEWAGE PUMP STATION DETAILS  
FOR  
WATER AND SEWER CONSTRUCTION

DRAWN BY:

CAG

DRAWING NO:

PS-4

DATE:

MARCH 2008